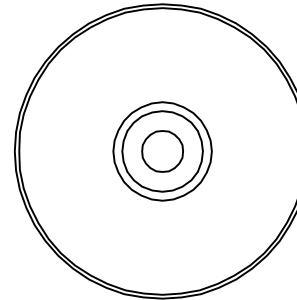
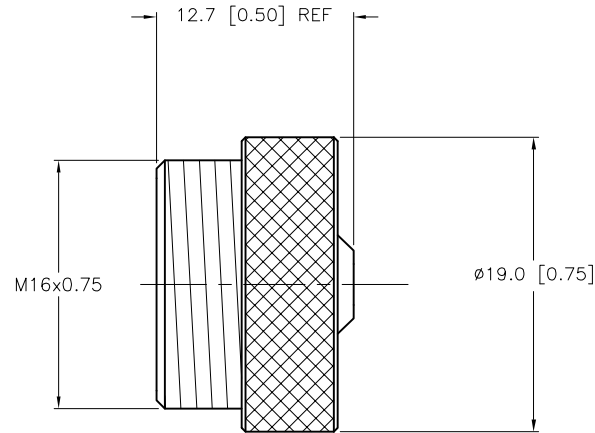


SPECIFICATIONS

CAP MATERIAL/FINISH	STAINLESS STEEL/PASSIVATED
GASKET MATERIAL	RUBBER



SOURCE DRAWING - FOR REFERENCE ONLY

RELATED DOCUMENTS				3RD ANGLE PROJECTION		THIS DRAWING IS CONFIDENTIAL AND THE PROPERTY OF TURCK INC. USE OF THIS DOCUMENT WITHOUT WRITTEN PERMISSION IS PROHIBITED.		3000 CAMPUS DRIVE MINNEAPOLIS, MN 55441 1-800-544-7769 (763) 553-7300 (763) 553-0708 fax www.turck.us		
1. 2. 3. 4.						DRFT RDS		DATE 03/04/09		
MATERIAL SEE SPECIFICATIONS						APVD		SCALE 1=5		DESCRIPTION BSMV-MC
FINISH SEE SPECIFICATIONS				ALL DIMENSIONS DISPLAYED ON THIS DRAWING ARE FOR REFERENCE ONLY		UNIT OF MEASUREMENT MILLIMETER [INCH]		IDENTIFICATION NO. U2-15413		REV C
CONTACT TURCK FOR MORE INFORMATION				DO NOT SCALE THIS DRAWING		FILE: U2-15413		SHEET 1 OF 1		

C	REMOVE SCREW	TR	04/28/23	500000008172
REV	DESCRIPTION	BY	DATE	ECO NO.